

CMRI CERT NO. :- CIMFR/TC/SR/H483
 SUPPLE. T.C. NO. :- CIMFR/TC/S/H144
 CAT. NO./TYPE NO. :- KJB-A-04

TECHNICAL DATA

ENCLOSURE :-
 EX-d AS PER IS/IEC 60079-1:2007

PROTECTION :-
 IP-66 AS PER IS 12063-1987 (IS/IEC 60529:2001)

AREA CLASSIFICATION :-
 ZONE -1 & 2

TEMPERATURE CLASS :-
 T6

GAS GROUPS :-
 IIB

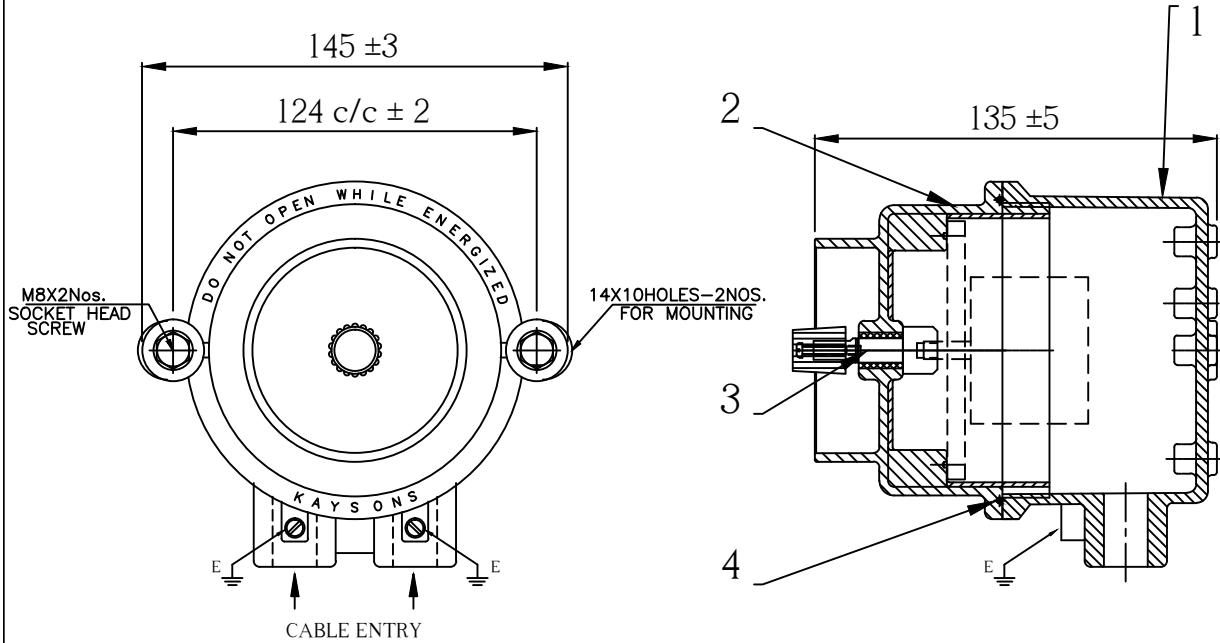
MATERIAL OF CONSTRUCTION :-
 DIE CAST AL. ALLOY LM-6

HARDWARE :-
 STEEL ZINC PLATED/STAINLESS STEEL

FINISH :-
 LIGHT GREY

EARTHING :-
 1 NO. INSIDE & 2 NOS. OUTSIDE

CABLE ENTRY :-
 M20x1.5P / 3/4"ET - 2NOS.



| | | | |
|-----|---------------------------|-----|--------------------|
| 04. | GASKET (ENDLESS, MOULDED) | 1 | NEOPRENE |
| 03. | POT OR REGULATOR SWITCH | 1 | A.R. |
| 02. | MAIN BODY COVER | 1 | DIE CAST AL. ALLOY |
| 01. | BODY | 1 | DIE CAST AL. ALLOY |
| NO. | DESCRIPTION | QTY | MAT./RATING |

| | | | | | |
|---|--|---|------|--------|---|
| CLIENT :- | | DRAWN | KBP | 1.8.13 | DESCRIPTION:- FLAMEPROOF WEATHERPROOF POT OR FAN REGULATOR SWITCH |
| CONSULTANT :- | | APP'D | HPB | 1.8.13 | |
| P.O.NO. :- | | CH'D | NPB | 1.8.13 | |
| THE INFORMATION CONTAINED IN THIS DRAWING IS THE PROPERTY OF KAYSONS TECHNO EQUIPMENTS PVT. LTD. AND IS NOT TO BE COPIED OR MISUSED IN ANY WAY. | | ISSUE | DATE | BY | MODIFICATION |
| KAYSONS TECHNO EQUIPMENTS PVT LTD | | 1802/7, G.I.D.C. ESTATE, V.U.NAGAR 388121. (GUJARAT) | | | SHT.NO. 1 OF 1 |
| | | | | | REV. 0 |
| | | | | | DRG.NO.:- B29 |